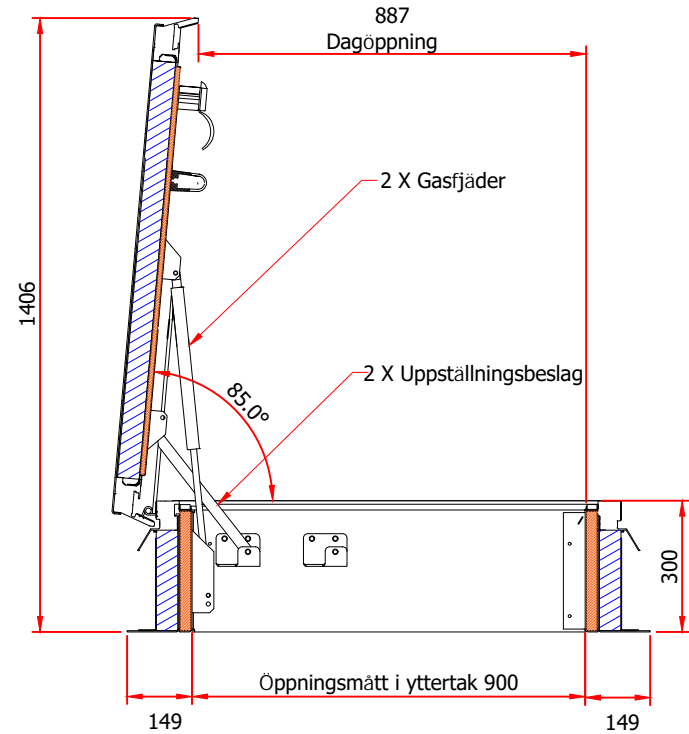
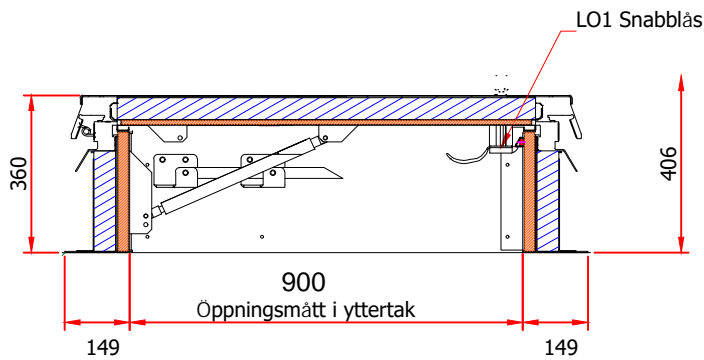
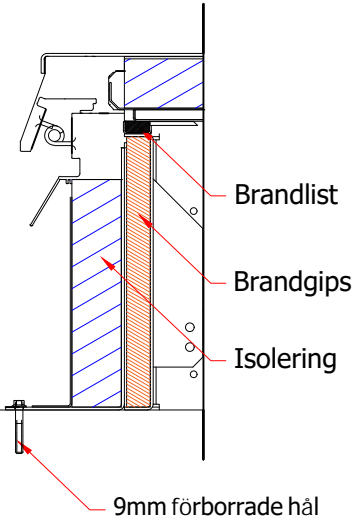


Observera att detta är en typritning för SRHTB 900x900 mm
Vid ändrat dagöppningsmått så ändras även i vissa fall sargens tjocklek
Vikt ca 180 kg



LASER CUT	
PUNCH PRESS	
FOLDING	
DRILLING	
WELDING	
ASSEMBLY	
POWDER COAT	

DRAWING MADE BY CAD
MANUAL CHANGES PROHIBITED

Copyright is claimed in this drawing and no copy may be made without prior written permission.



The article shown is also the subject of:
patent rights
registered design rights
unregistered rights
this drawing is a design document
patent pending

Designed by	Checked by	Client	Date
Sing:		...	01.08.2020
Project			Revision
SRHTB 900 X 900 MM			Sheet
			1 / 30