



Elkington



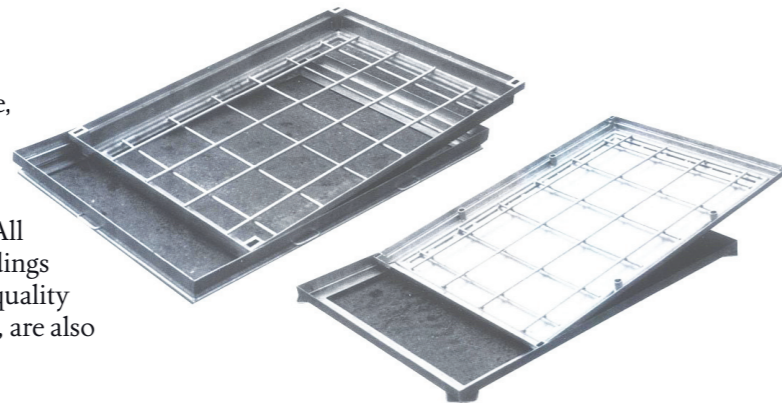
# SEFAC

## A Versatile Cover System

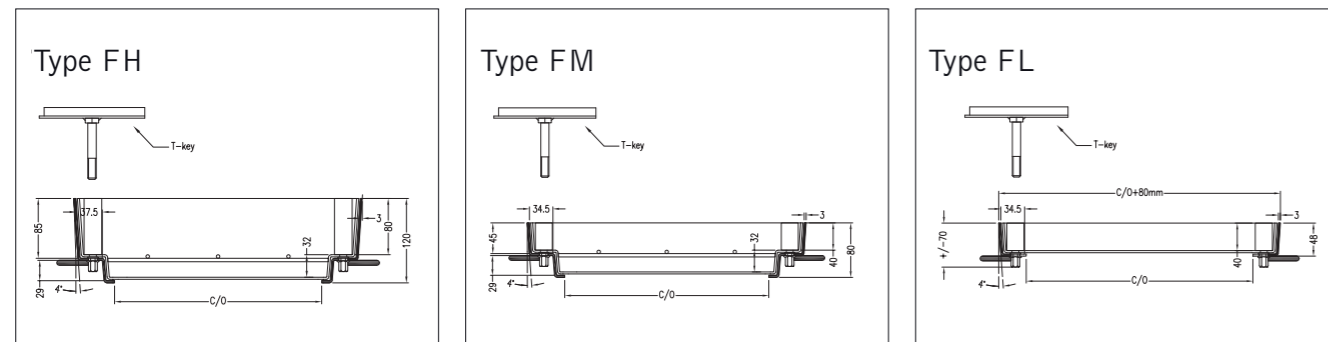
# Elkington SEFAC Range

## Technical Information

Elkington Sefac is a comprehensive range of single, duct, and multi span access covers and frames. The Sefac range can be used in virtually any situation where ease of access to services and visual appearance are of paramount importance. All covers are designed to meet the specified test loadings when filled to the surface of the cover with good quality concrete (Grade 25). Other floor finishes, like tiles, are also possible.

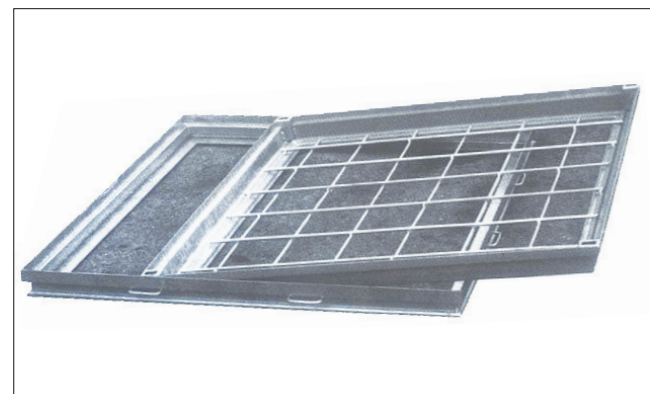


- Covers and frames are fabricated from 2 mm hot rolled steel sections.
- Covers, frames and removable support beams are hot dip galvanised to EN 1461.
- Covers can be supplied fitted with a solid plate bottom when specified.
- The design of the covers is such that when fitted a minimal amount of metal is visible on the exposed surface.
- Covers can be fitted with locking bolts for security purposes.
- Unsealed or double sealed covers are available.



## Single Covers & Frames

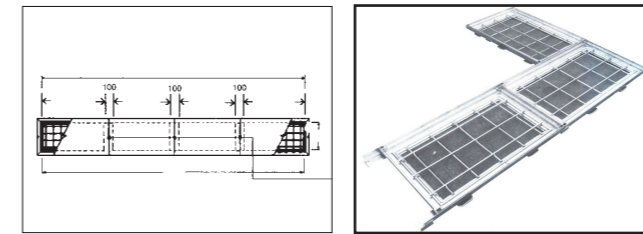
Non-standard sizes available upon request.



Definition of Loading Groups	
<b>Heavy Duty</b>	5 tonnes slow moving wheel load.
<b>Medium Duty</b>	3 tonnes slow moving wheel load.
<b>Light Duty</b>	Areas where covers will not be subjected to wheel loadings.

Loading Groups				
Pit Clear Opening Size	Heavy Duty	Medium Duty	Light Duty	
300 x 300	TYPE FM	TYPE FM	TYPE FL	
300 x 600				
300 x 750				
450 x 450				
450 x 600				
450 x 700				
600 x 600				
600 x 750				
600 x 900				
750 x 750				
750 x 900				
900 x 900				
1050 x 600	TYPE FH	TYPE FM	TYPE FM	
1050 x 750				
1200 x 600				TYPE FH
1200 x 750				
1350 x 600				
1350 x 750				
1500 x 600				
1500 x 750				

## Duct Covers & Frames

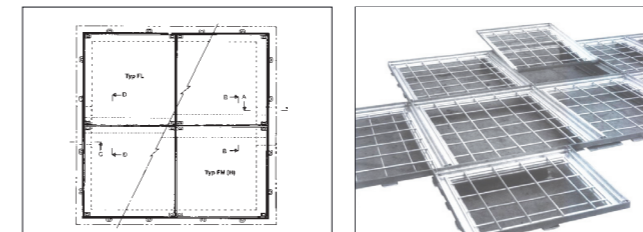


Loading Groups			
Pit Clear Opening Size	Heavy Duty	Medium Duty	Light Duty
300	TYPE FM	TYPE FM	TYPE FL
450			
600			
750			
900			
1050	TYPE FH	TYPE FH	TYPE FM
1200			
1350			
1500			

## Standard Pit Opening Sizes for Duct Covers in Unit Form

Pit Clear Opening Span	Pit Clear Opening Lengths																				
	1300	1450	1600	1750	1900	2000	2150	2300	2450	2600	2750	2900	3000	3150	3300	3450	3600	3750	3900		
300																					
450																					
600																					
750																					
900																					
1050	■ ■ ■									■ ■ ■									■ ■ ■ ■ ■		
1200																					
1350																					
1500																					

## Multi Span Covers and Frames Incorporating Removable Support Beams



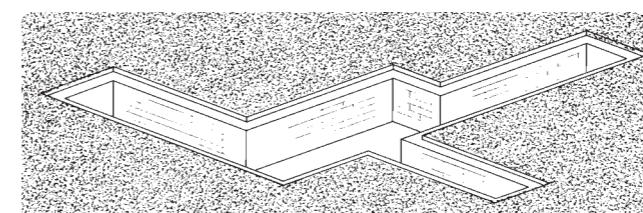
Loading Groups			
Loading Type	Heavy Duty	Medium Duty	Light Duty
	TYPE FH	TYPE FM	TYPE FL

## Pit Clear Opening Length

Pit Clear Opening Span	Cover Spans							
	1000	1300	1600	2000	2450	2700	3000	3300
1000								
1300	■ ■					■ ■ ■ ■		
1600								
2000	■ ■ ■ ■					■ ■ ■ ■ ■ ■		
2300								
2600	■ ■ ■ ■ ■ ■					■ ■ ■ ■ ■ ■ ■ ■		
3000								
3300	■ ■ ■ ■ ■ ■ ■ ■					■ ■ ■ ■ ■ ■ ■ ■ ■ ■		

## Layouts and Special Configurations

Covers can be manufactured to suit virtually any formation of pits, including obtuse, acute, tee, right



angle and reducing junctions. Covers and frames to suit radial ducts can also be supplied.

Whenever possible, a layout drawing of the pits should accompany the enquiry.

